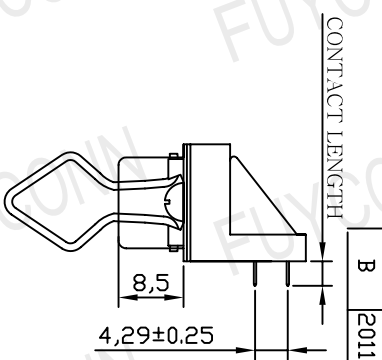
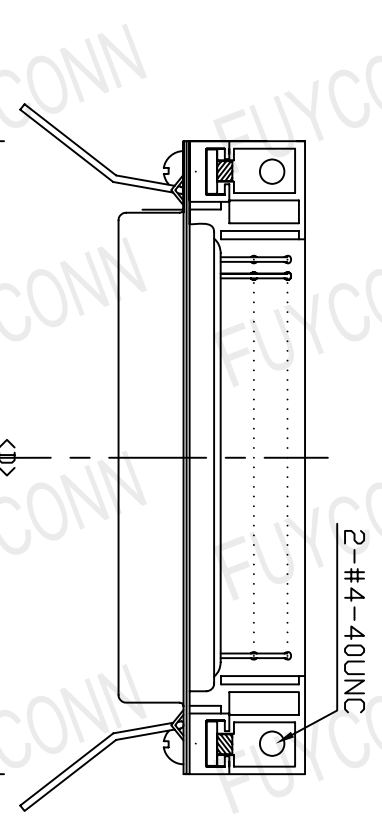
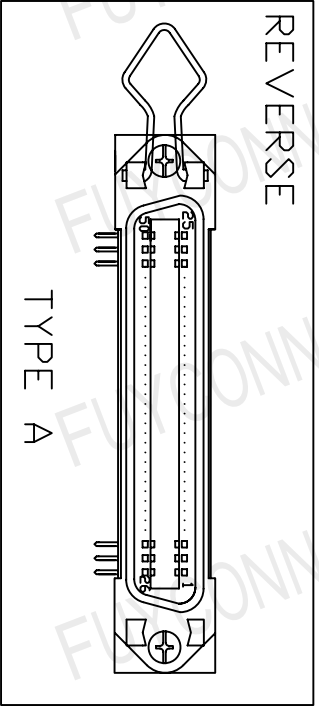


REV	DATE	DESCRIPTION
B	2011-11-25	添加TYPE A



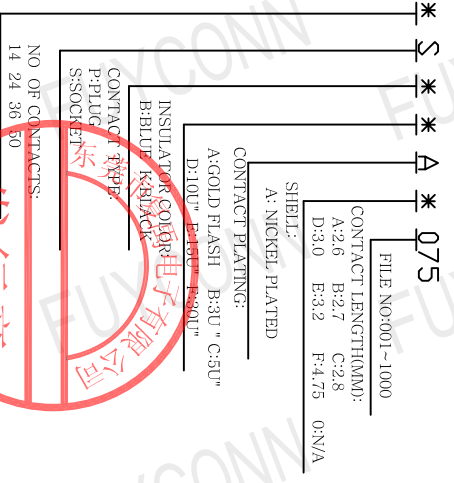
Positions	A	B	C	D
14	12.96	25.2	36.0	44.0
24	23.76	35.9	46.8	54.8
36	36.72	48.9	59.7	67.7
50	51.84	64.0	74.9	82.8

P. C. B LAYOUT



TYPE A

Material & finish  
SHELL:  
steel Zinc plated, Tin plated  
or Nickel plated steel  
PIN CONTACT:  
Phosphor bronze or brass  
Gold Plated  
INSULATOR:  
PBT & Glass-fibre reinforced  
UL-94-V0  
CURRENT RATING:5Amp  
DIELECTRIC STRENGTH:  
1000V for one minute  
INSULATOR RESISTANCE:  
1000MΩ MIN.(at 500V DC)  
CONTACT RESISTANCE:25mΩ Max. mated  
TEMPERATURE:  
-55°C to +105°C



0 1 2 3 4 5 6 7 8 9 0 1 2 3 4 5 6 7 8 9 0 1 2 3 4 5

**FUYCONN**  
**东莞市复禹电子有限公司**  
 DONG GUAN FUYCONN ELECTRONICS CO., LTD

MODEL NAME: 57-90度母DIP型圆头4\*7锁合双牙L片 新四勾耳

SELECT	1	2	3	EXTRA
DIP	0.000	0.05	0.05	0.10
TOU	0.00	0.10	0.15	0.20
	0.0	0.15	0.25	0.30
ANGLE	0.25	0.30	0.40	0.40
	1.0°	3.0°	5.0°	5.0°

PART NO. 57RR\*\*S\*\*A\*075  
 APPROVED BY:  
 CHECKED BY:  
 DRAW BY: 周胤或  
 FILE NO. FUY57075  
 SCALE:  
 DATE: 2009-4-08

发行章